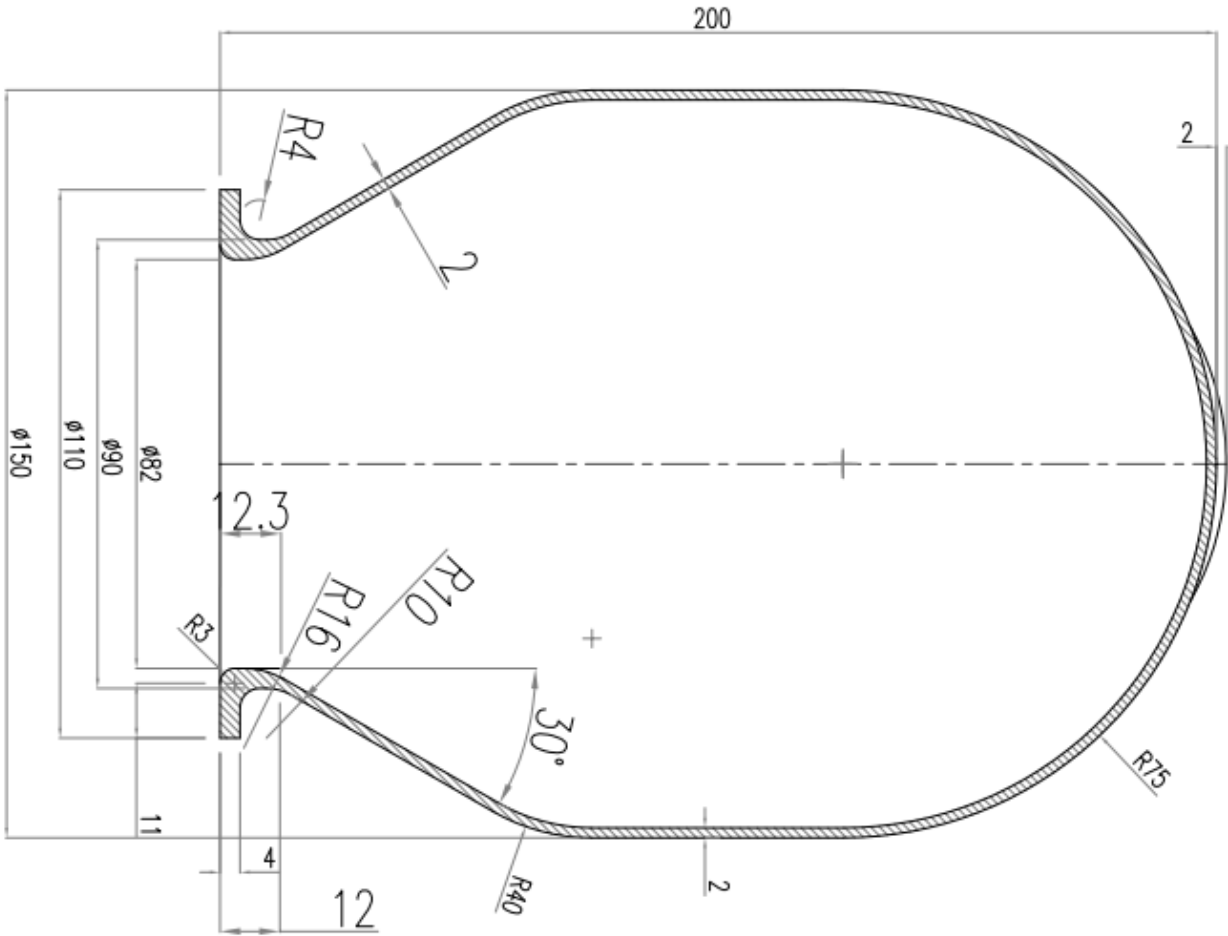


THIS DRAWING IS ABSOLUTE OWNERSHIP OF SE.FA. SRL AND CANNOT BE REPRODUCIBLE AND DISCLOSED TO THIRD PARTIES WITHOUT AUTHORIZATION. ANY TRANSGRESSION WILL BE PUNISHED ACCORDING TO LAW



Se.Fa srl

Tel.: +39 0544 528784
Fax: +39 0544 528840

Sede legale:

Via Del Lavoro, 10 – 48124 S. Alberto (RA) – ITALY

Stabilimento e sede amm.va:

Via Del Lavoro, 9 – 48124 S. Alberto (RA) - ITALY

Code	Description	Compounds	Approved by	Fixed hole
FOA0204	MEMBRANA 18/24 LT EPDM	EPDM	D.M. 174 ITALIAN REG.	WITHOUT HOLE