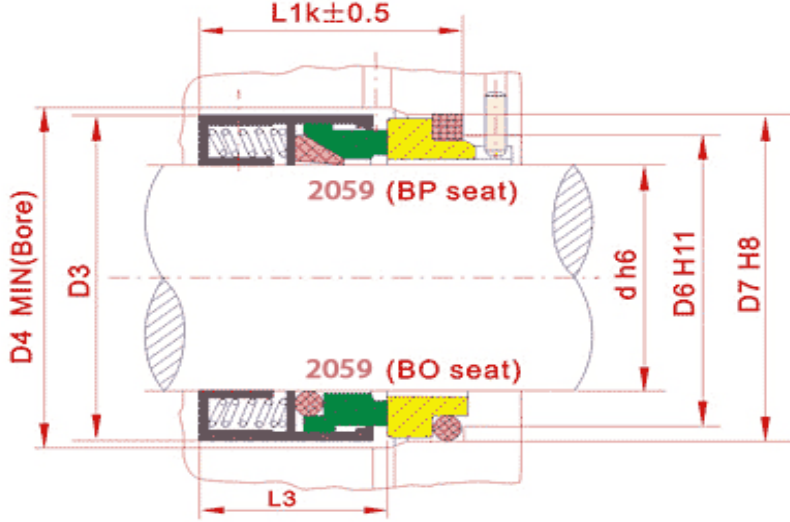


## SADU 2059



### Tasarım Özellikleri:

DIN24960 ve BS5257-1975 standartlar ISO3069 uygun,

- Sabit bilezik(SiC/TC/Seramik)
- Döner bilezik(SiC/TC/Karbon)
- İkinci Salmastra(VITON/PTFE/PTFE+VITON)
- Yay ve Diğer Parçalar(SUS304/SUS316)

| Salmastra boyutu d(mm) | D3 | D4 | L1K  | L3   | D6 | D7 |
|------------------------|----|----|------|------|----|----|
| 14                     | 24 | 26 | 35   | 23   | 21 | 25 |
| 16                     | 26 | 28 | 35   | 23   | 23 | 27 |
| 18                     | 32 | 34 | 37.5 | 24   | 27 | 33 |
| 20                     | 34 | 36 | 37.5 | 24   | 29 | 35 |
| 22                     | 36 | 38 | 37.5 | 24   | 31 | 37 |
| 24                     | 38 | 40 | 40   | 26.7 | 33 | 39 |
| 25                     | 39 | 41 | 40   | 27   | 34 | 40 |
| 28                     | 42 | 44 | 42.5 | 30   | 37 | 43 |
| 30                     | 44 | 46 | 42.5 | 30.5 | 39 | 45 |
| 32                     | 46 | 48 | 42.5 | 30.5 | 42 | 48 |
| 33                     | 47 | 49 | 42.5 | 30.5 | 42 | 48 |
| 35                     | 49 | 51 | 42.5 | 30.5 | 44 | 50 |
| 38                     | 54 | 58 | 45   | 32   | 49 | 56 |

|     |     |     |      |      |     |     |
|-----|-----|-----|------|------|-----|-----|
| 40  | 55  | 60  | 45   | 32   | 51  | 58  |
| 43  | 59  | 63  | 45   | 32   | 54  | 61  |
| 45  | 61  | 65  | 45   | 32   | 56  | 63  |
| 48  | 64  | 68  | 45   | 32   | 59  | 66  |
| 50  | 66  | 70  | 47.5 | 34   | 62  | 70  |
| 53  | 69  | 73  | 47.5 | 34   | 65  | 73  |
| 55  | 71  | 75  | 47.5 | 34   | 67  | 75  |
| 58  | 78  | 83  | 52.5 | 39   | 70  | 78  |
| 60  | 80  | 85  | 52.5 | 39   | 72  | 80  |
| 63  | 83  | 88  | 52.5 | 39   | 75  | 83  |
| 65  | 85  | 90  | 52.5 | 39   | 77  | 85  |
| 68  | 88  | 93  | 52.5 | 39   | 81  | 90  |
| 70  | 90  | 95  | 60   | 45.5 | 83  | 92  |
| 75  | 95  | 104 | 60   | 45.5 | 88  | 97  |
| 80  | 104 | 109 | 60   | 45   | 95  | 105 |
| 85  | 109 | 114 | 60   | 45   | 100 | 110 |
| 90  | 114 | 119 | 65   | 50   | 105 | 115 |
| 95  | 119 | 124 | 65   | 50   | 110 | 120 |
| 100 | 124 | 129 | 65   | 50   | 115 | 125 |